

Lighting Controls

DATE:	LOCATION:
TYPE:	PROJECT:
CATALOG #:	

WIR SERIES

WISCAPE® WIRELESS RGBW MODULE



FEATURES

- 4 Channel constant current or constant voltage controller
- 256 levels per channel with 0 being OFF and 255 full brightness
- 10 stored color presets selectable from a color wheel
- Programmable preset transition times between 1 and 255 seconds
- Real-time manual overrides with adjustable transition time
- Can be programmed to respond to all internal fixture module functions
- Supports generic timers function to create sequences of presets
- Integration with wiSCAPE software



SPECIFICATIONS

ELECTRICAL

- 120-480VAC; 50/60Hz (+/- 10%)
- Less than 1 watt consumption at 120V
- Power Monitoring: Amperage – Voltage – Power (better than 2% accuracy), Power Factor, Cumulative Energy – Burn-time counters
- 0-10V Dimming: For all types of 0-10V drivers and ballasts requiring either to be sunk (up to 5mA) or sourced (20mA standalone or higher w/ext. source)
- Maximum Load: 7 Amps (2 Amps when used at 480VAC)

OPERATION

- Constant Current Version
 - Voltage provided by external LED driver: Up to 60VDC
 - Maximum output power: 1A per channel
 - Current setting options: 350, 525, 700, 100mA
 - PWM: Flicker free 1KHz switching

OPERATION (CONTINUED)

- Constant Voltage Version
 - Voltage provided by external LED driver: Up to 60VDC
 - Maximum output power: 1A per channel
 - PWM: Flicker free 1KHz switching
- Radio Coverage:
 - Up to 1,000 ft. (300m) between modules(footnote 1). Communication range based on clear line of site. Range may vary widely depending on environmental factors.¹

OPERATING ENVIRONMENT

- Relative Humidity: Up to 99% non-condensing
- Ambient Temperature Range: -40°F to 167°F (-40°C to +75°C)

CERTIFICATIONS

- ANSI/UL 8750, CSA 22.2 No. 250.13-14

CERTIFICATIONS (CONTINUED)

- 2.4GHz Version: U.S. FCC (Digi XBee PRO 2.4GHz) Part 15.247 Class A: MCQ-PS2CTH, Canada IC: 1846A-PS2CTH, Europe CE: ETSI, Australia: C-TICK, Japan: TELEC
- UL94V-0 Flame retardant ABS or epoxy molding

WARRANTY

- 5 year limited

Notes:

- 1 Antenna must be mounted vertically up or down.

Lighting Controls

WIR SERIES

WISCAPE® WIRELESS RGBW MODULE

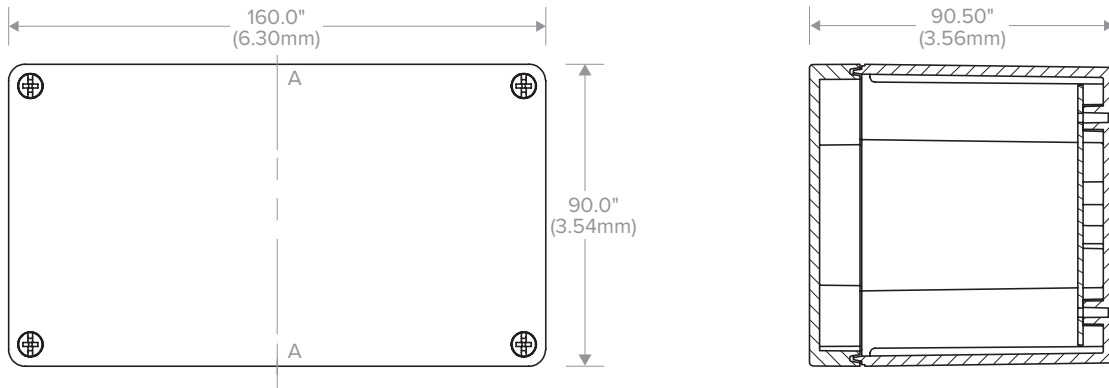
ORDERING GUIDE

Example: WIR-RGBW-CV

CATALOG #

Model	Type
WIR-RGBW wiSCAPE RGBW Module	CV Constant Voltage, 4 Channel Controller, 2.4GHz, 120-480VAC CC Constant Current, 4 Channel Controller, 2.4GHz, 120-480VAC

DIMENSIONS



WIRING DIAGRAM

